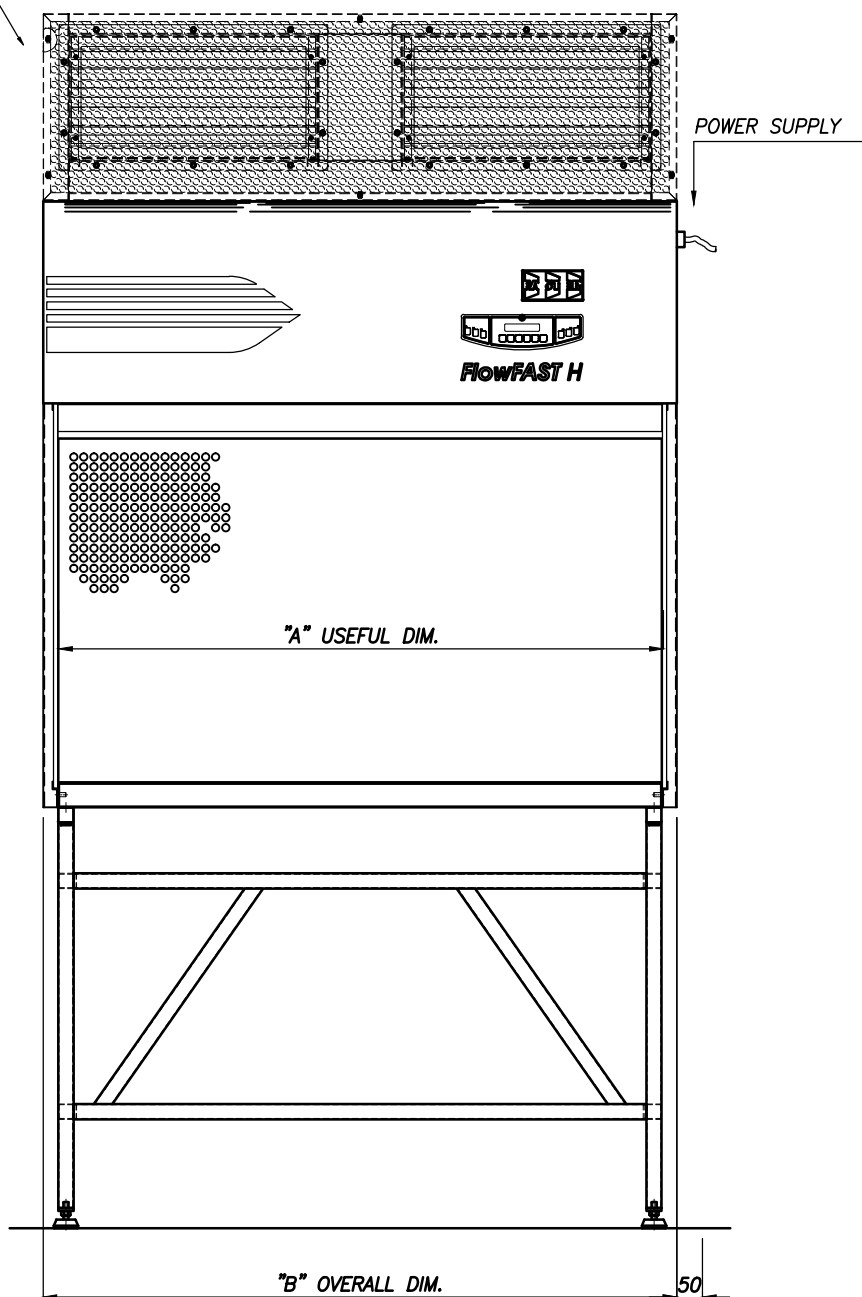
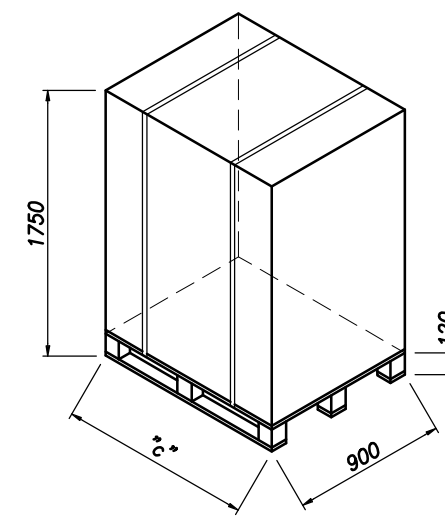
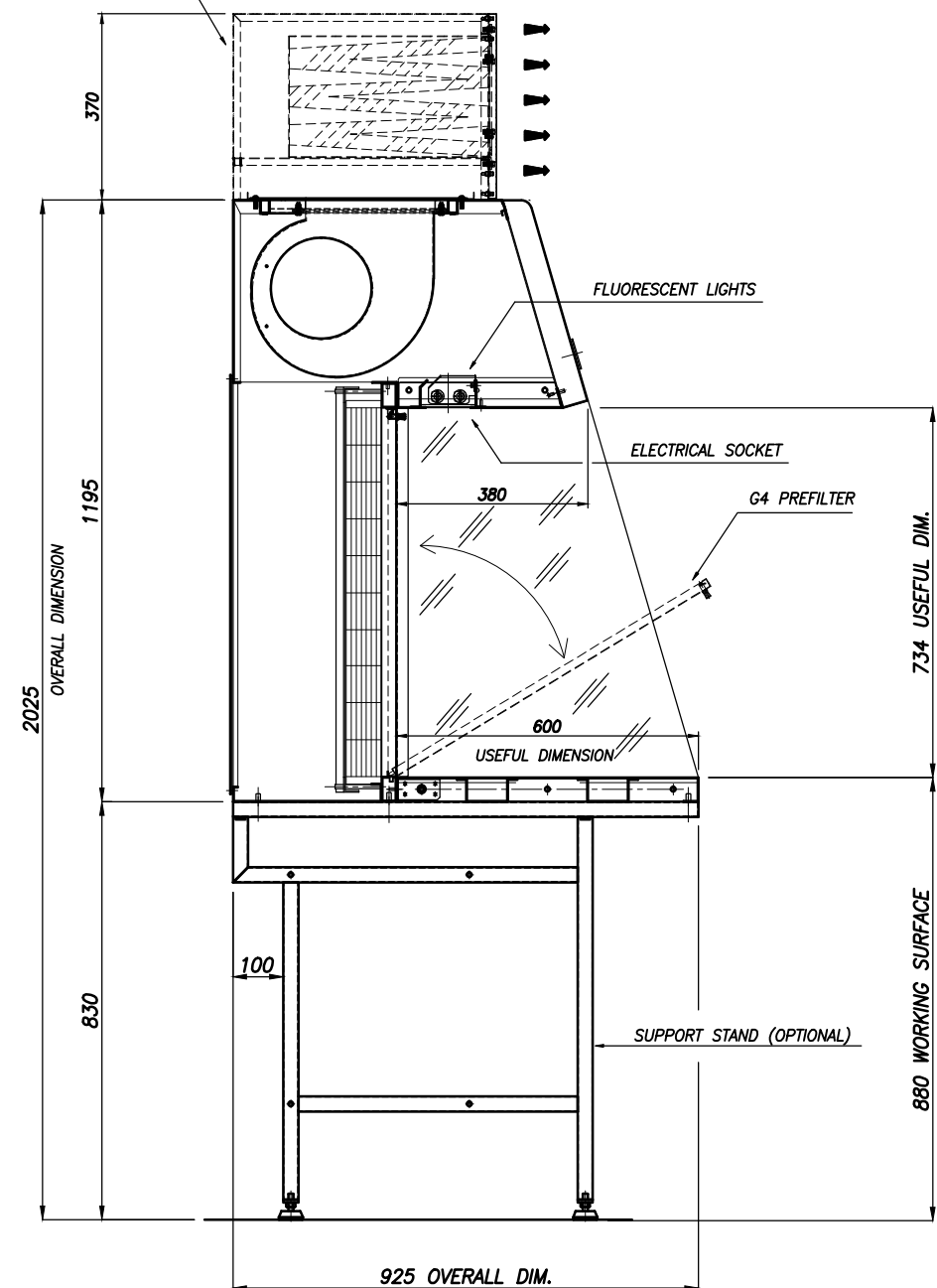


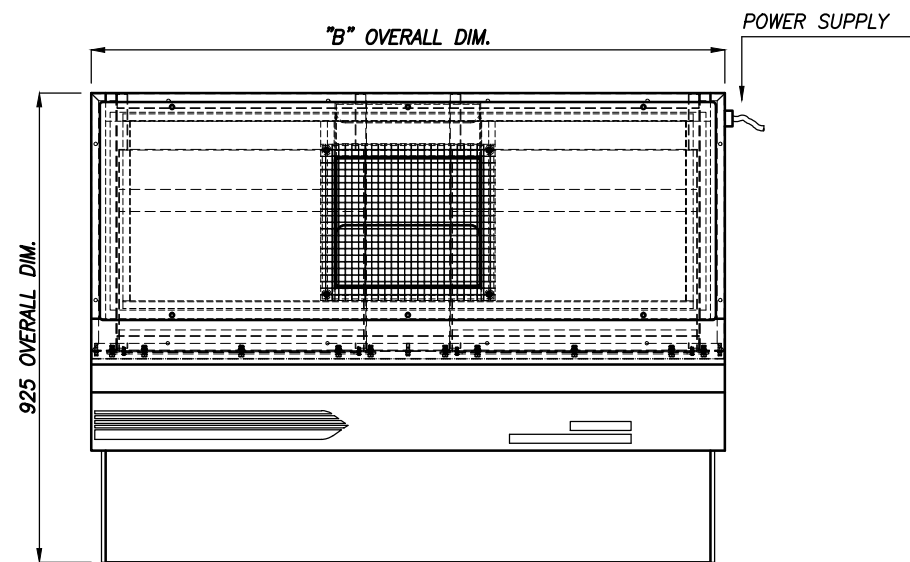
CARBON / HEPA FILTER  
(OPTIONAL)



CARBON / HEPA FILTER  
(OPTIONAL)



"B" OVERALL DIM.



|                | "A"  | "B"  | "C"  | GROSS WEIGHT | NET WEIGHT |
|----------------|------|------|------|--------------|------------|
| FlowFAST HR 09 | 885  | 945  | 1110 | Kg. 121      | Kg. 95     |
| FlowFAST HR 12 | 1190 | 1250 | 1470 | Kg. 160      | Kg. 128    |
| FlowFAST HR 15 | 1495 | 1555 | 2060 | Kg. 215      | Kg. 175    |
| FlowFAST HR 18 | 1800 | 1860 | 2060 | Kg. 230      | Kg. 188    |



|                                      |                  |                  |          |
|--------------------------------------|------------------|------------------|----------|
| DESCRIZIONE<br>FlowFAST H REVERSE    |                  |                  | NOTE:    |
| CODICE DISEGNO<br>K6 00150 002_COMM. | REVISIONE:<br>00 | DEL:<br>23/11/12 | DIS.: PG |